

U-PROX HE INSTALLATION MANUAL

Features

- Power:
 - **Micro USB B**
 - **IEEE 802.3af PoE:** power class 1, up to 3,84W
- Direct operation with U-Prox IP500 repeaters
 - ISM band (915.5-927.5 MHz) device with bi-directional communication
 - Guaranteed range of 20 m
 - U-Prox HE connection interface - Ethernet
- One micro USB B port for network settings configuring and firmware upgrade
- Isolated Ethernet port, 10BASE-T/100BASE-TX, 802.3af PoE
- U-Prox HE adjusted with U-Prox IP software and supports automatic configuration for one-range network.
- Temperature range: 0 - +55 °C at 80% relative humidity.
- Maximum relative humidity 80% without condensation

Panel

The view of the Device is shown in Fig. 1



Figure 1. U-Prox HE

Location of jumpers and connectors on Device board and their function shown on Fig. 2:

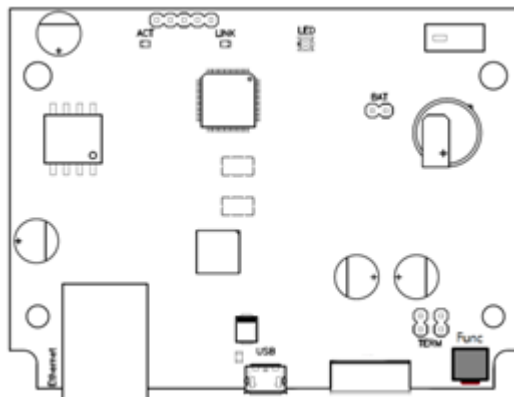


Figure 2. U-Prox HE board

Assignment of the access Device connections

Contact	Name	Purpose
USB Connector		
Micro USB B	USB Connector	For network settings configuration and firmware upgrade
Jumper		
BAT	BAT	For memory and Real-Time Clock backup battery switch
Button		
FUNC	FUNC	Service button

Light emitting diodes (LED's)

LED's from left to right:

Link LED Ethernet cable is OK when lit

Act. LED Frequent flashing means data exchange

LED – bi-color LED:

- Red flashes 2 times per second – no connection to the ACS server
- Green flashes once per second – connection to the ACS server is OK

Connection and mounting

U-Prox HE shipped in the plastic enclosure without the power supply. Dimensions marked on the Fig. 3.

Connection

1. Perform initial network setup of device (that specifies settings of network parameters) with utility "Configurator" via USB port before installation, if it is impossible to adjust them automatically
2. Prepare the place for installation mark and drill mounting holes (see **Mount recommendations**)
3. Perform Ethernet wiring
4. Perform power wiring if it is necessary
5. Install and fix the enclosure cover with screws
6. Attach self-adhesive washers over the screws
7. Load the Device in the U-Prox IP software (according to the software manual)
8. Download the Device
9. The device is ready for operation

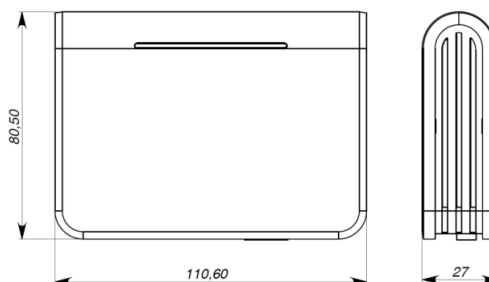


Figure 3. Dimensions

Mounting recommendations

Mount the Device in the place, convenient for service.

To mount the Device on the wall, perform the following (Figure 4.):

- Mark the holes using the tem plate provided;
- Fix the enclosure;
- Connect wires

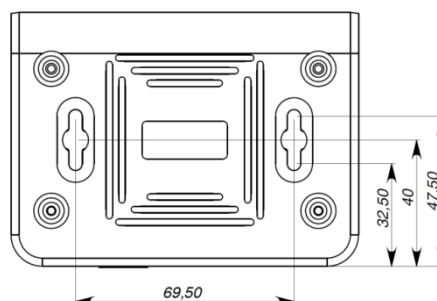


Figure 4. Fixing holes marking

Template for device installation

